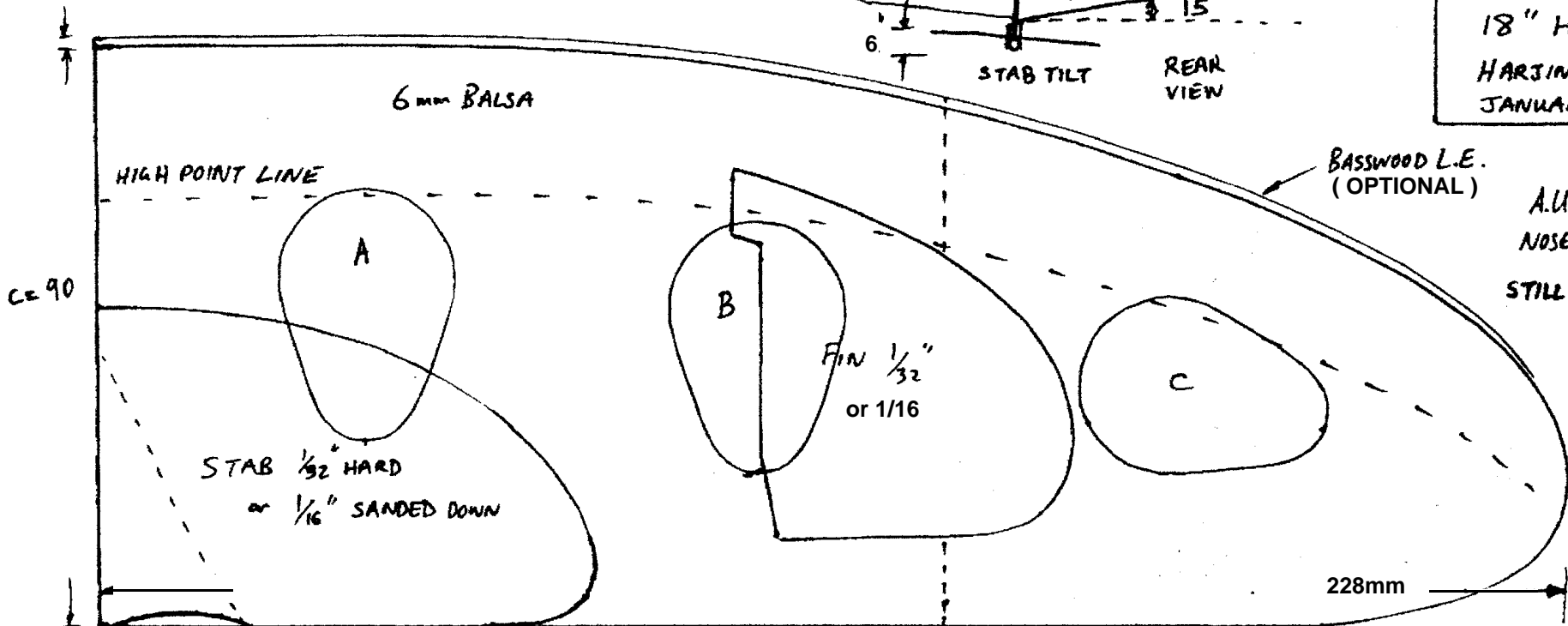
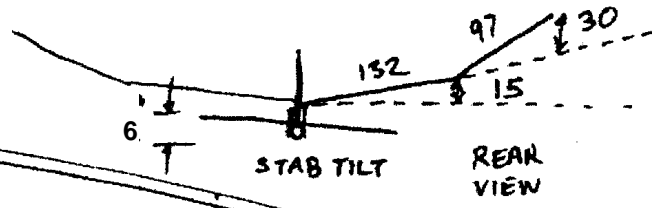
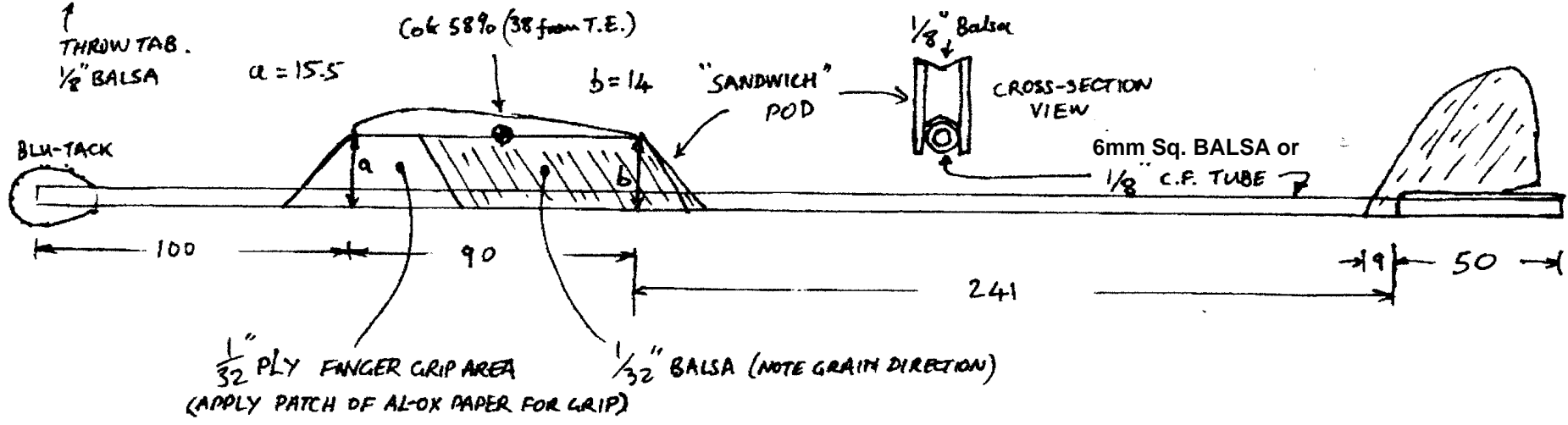


ALL DIMS. MM UNLESS STATED OTHERWISE

**JELLY BEAN**  
 18" HLG  
 HARJINDER OBHI  
 JANUARY 2006



A.U.W. INCLUDING NOSE WT.  $\approx 26.5g$   
 STILL AIR TIME  $\geq 35$  to  $40s$



OPTIONAL: A, B & C ARE WING-LIGHTENING HOLES. TISSUE OVER TOP & BOTTOM WITH DOPE. USE TISSUE PIECES SLIGHTLY LARGER THAN THE HOLES - e.g. 5mm OVERLAP ALL ROUND THE EGG-SHAPED HOLE.